

SustainableLED Design™

Crosstour LED

Wall Mount Luminaire

CROSSTOUR™

LED WALL PACK



Wall or Surface Mount



Post or Bollard Mount



Pathway or Stairs



Inverted Mount

A New Revolution in Outdoor Lighting

Pioneered with an industry-first, universal “all-in-one” product platform, the Crosstour LED Wall Pack Series delivers energy-efficient optical control, scalable low-profile form, universal installation and tool-less features. With a pure innovative design, Crosstour LED Wall Pack integrates super-bright LED technology while taking advantage of the stylish, slim profile and rugged die-cast aluminum design. Ultimate versatility in application allows wall or surface, post or bollard, inverted or low-level installations.

Superior Performance

Forward throw, optimized reflector efficiency is the driving force behind reducing operating cost while maximizing fixture spacing. Offered in small and large housing configurations, with brilliant white 5000K or neutral warm 3500K CCT, Crosstour LED Wall Pack incorporates a series of three scalable high-performance, energy-efficient LED lumen packages. With superior 90% energy savings, compared to traditional HID equivalent products, the super-efficient 30W Crosstour LED Wall Pack system delivers up to 2240 lumens. The advanced 20W system provides up to 1360 lumens while the essential 10W system distributes an impressive 720 lumens.

Industry-First Design

Refined quality and safety is ensured with the Crosstour LED Wall Pack universal back box and secure lock hinge. The industry's first universal back box easily adapts to virtually all standard junction boxes, without the use of adaptor plates or loose hardware. The interface hinge locks the door in place, allowing precise and stable handling when making the tool-less electrical connections.

First-class, energy-efficient optical control, easy universal installation, low-profile design, scalable lumen selection and enhanced safety features confirm the Crosstour LED Wall Pack Series as the absolute choice for outdoor illumination.

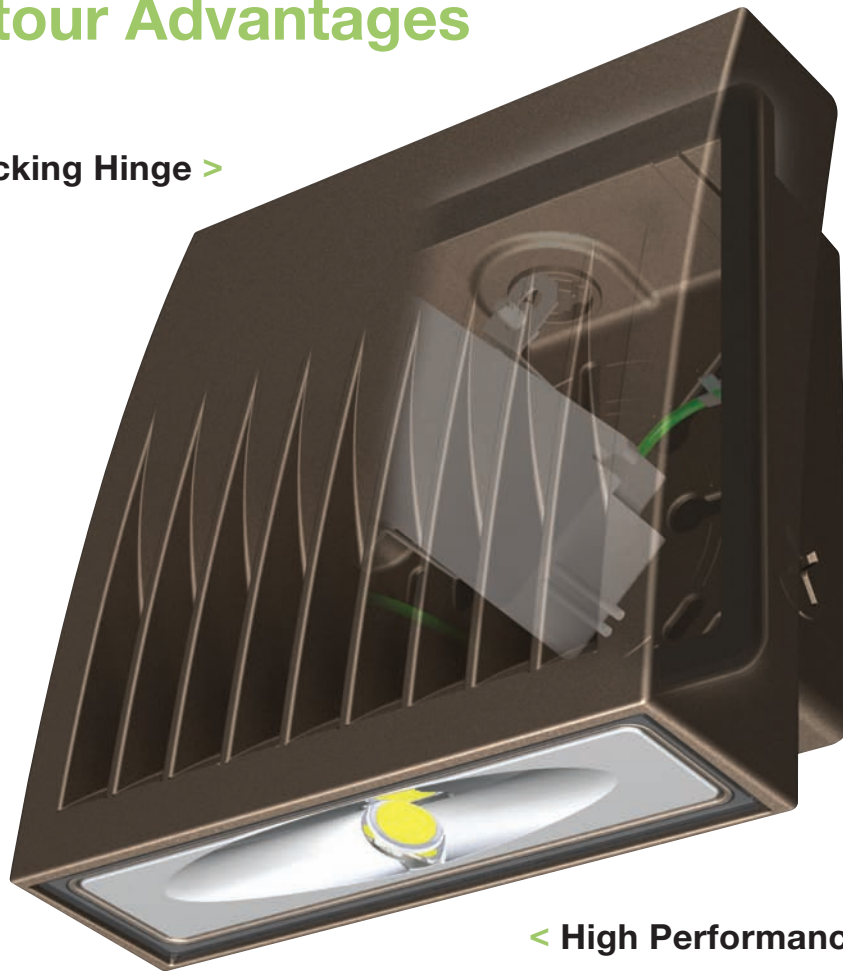


Patents Pending



Crosstour Advantages

Secure Locking Hinge >



< Universal Back Box

< High Performance LED

High Performance LED

High quality LEDs coupled with effective thermal management and superior optical design provide long-lasting, energy-efficient performance. Select from 10W, 20W or 30W models.

Door Locking Hinge

Secure lock interface hinge design allows the door to safely seat on top of the back box while making the tool-less electrical connections with supplied lever-lock connectors. Single-point captive screw secures door.

Universal Back Box

Universal back box mounts to standard 3-1/2" to 4" round and octagonal, 4" square, single gang and masonry junction boxes. Three conduit openings allow for thru-branch wiring.



Design Performance Features

Construction

- Slim, low-profile design extends 4" from surface
- Rugged die-cast aluminum door and back box
- Hinged removable door
- Universal back box mounts to standard 3-1/2" to 4" round and octagonal, 4" square, single gang and masonry junction boxes
- Back box includes three 1/2" NPT threaded conduit entry points
- External fin design extracts heat from fixture surface
- One-piece silicone gasket seals door and back box
- Key hole gasket adapts to junction box or wall installation
- Single-point, stainless steel captive screw secures door
- Wet location listed, IP66 rated, UL ground mount sprinkler listed

Finish

- Five-stage Super TGIC carbon bronze or summit white polyester powder coat paint withstands extreme climate conditions while providing optimal color and gloss retention.



Carbon Bronze



Summit White

Electrical

- 10W model operates in -40°C to 40°C
- 10W, 120V 50/60 Hz
- 20W and 30W models operate in -30°C to 40°C
- 20W and 30W, 120-277V, 50/60 Hz
- LED driver mounts to housing for optimal heat sinking
- Integral electronic LED driver incorporates surge protection
- Back box suitable as an electrical wiring compartment
- Three 1/2" threaded conduit entry points allow for thru-branch wiring
- LED maintains more than 70% of initial light output after 50,000 hours

Optical

- Silicone sealed LED optical chamber
- Custom-engineered, mirrored anodized reflector
- Impact-resistant tempered glass
- Thermally optimized solid-state LED
- 5000K or 3500K CCT LED

Warranty

- Five-year limited warranty

Design Benefits



Advanced Thermal Cooling

Cooling fins dissipate heat while quickly shedding water and debris. Sealed optical chamber prohibits contaminants from entering the light source.



ADA Compliant Low-Profile Design

Engineered to install in multiple applications. Incorporates ADA specifications when mounted at low levels without compromising illumination.



Energy-Efficient LED Driver

Configured with the most efficient LED driver to minimize energy consumption while maximizing fixture life.



IP66 Ingress Protection Rated

Gasketed to seal out contaminants while allowing precise installation to junction box or wall surface.



Easy Installation



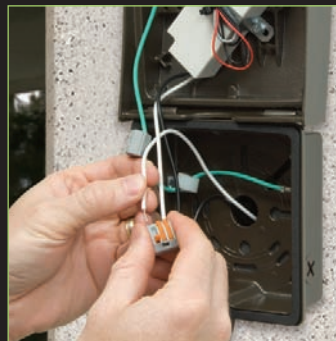
Flexible Mounting Compatibility

Mounts to standard 3-1/2" to 4" round and octagonal, 4" square, single gang and masonry junction boxes.



Step 1

Open fixture, mount back box to junction box or lag to wall.



Step 2

Seat door into lock hinges and make electrical connection.



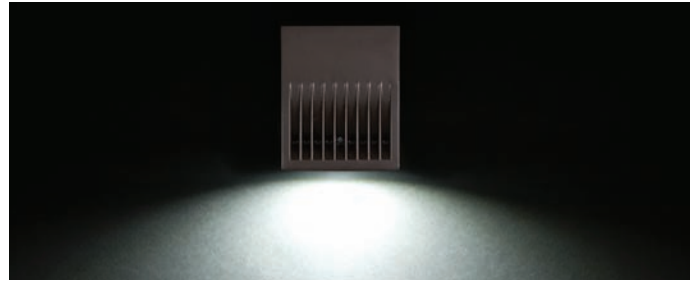
Step 3

Close door and tighten captive screw.

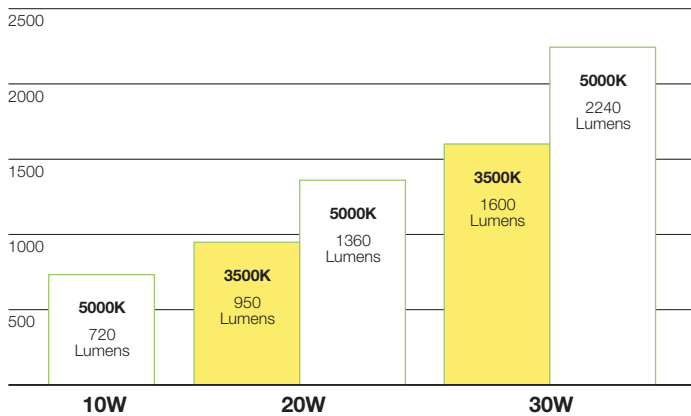
Scalable Illumination

Dark Sky Compliant Illumination

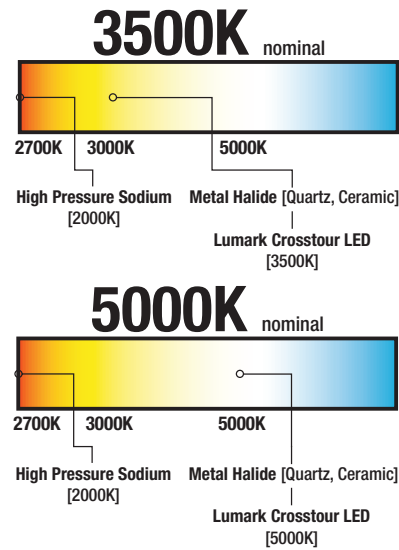
Patent pending highly polished, mirrored optical reflector is optimized to project the light in a forward throw direction. Full cutoff door provides focused illumination with zero uplight and minimal high angle illumination while retaining superior uniformity.



Delivered Lumens

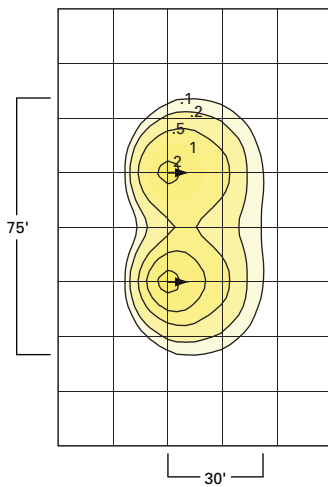


NOTE: Delivered lumens are estimated. See IES photometric files.



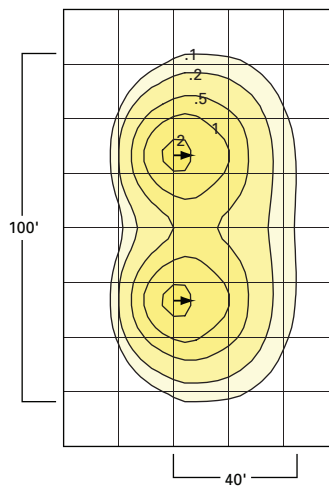
Optical Excellence

Crosstour LED Wall Pack luminaires deliver up to 2240 lumens. Brilliant white 5000K or warm 3500K CCT color temperature LEDs provide uniform white light similar to traditional metal halide light sources. Excellent color rendering with superior thermal management and optimized reflector technology make the Crosstour LED Wall Pack Series a superior performer.



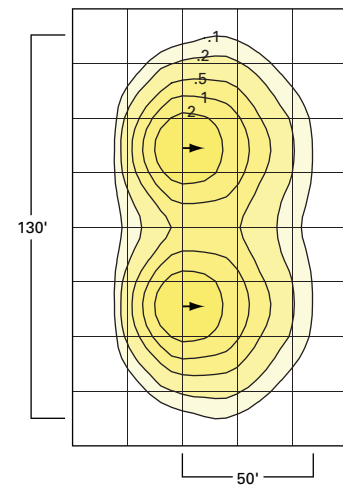
10W Model Typical Application

- 75' illumination distribution pattern
- 30' forward throw
- 71% street side illumination
- B.U.G. rating: B0-U0-G0
- Replaces up to 70W metal halide



20W Model Typical Application

- 100' illumination distribution pattern
- 40' forward throw
- 68% street side illumination
- B.U.G. rating: B0-U0-G0
- Replaces up to 150W metal halide



30W Model Typical Application

- 130' illumination distribution pattern
- 50' forward throw
- 65% street side illumination
- B.U.G. rating: B1-U0-G0
- Replaces up to 175W metal halide

NOTE: Based on 15' mounting height and two fixtures.

Energy Savings & Cross Reference

Uniform Illumination

The patent pending LED light engine is optimized for energy-efficient performance. With effective thermal management, precise positioning of the LED package assembly and a highly reflective anodized aluminum reflector, Crosstour LED Wall Pack provides uniform illumination, enhanced safety and a comfortable visual experience.

LED & Metal Halide Light Distribution Comparison



NOTE: Typical mounting heights are 8'-12' (10W model) and 8'-25' (20W and 30W models). Simulation rendering using AGi32 software.

Reduced Energy Consumption

Operating and maintenance costs of a lighting system are dramatically impacted by the specified lamp source and electrical system. Total system input watts and fixture operating life should be the driving considerations when addressing energy consumption and total cost of ownership. Energy savings increase when energy consumption is reduced and maintenance intervals are extended.

Annualized Energy Savings / Cost Comparison

Fixture	Hours / Years	Life (Hrs.)	Watts	Cost / Year at .10 kWh*	Relamp / Fixture*	Total Energy Cost / Fixture	Savings per Fixture	% Savings
10W Crosstour LED Wall Pack	9 / 3285	50000	13W	\$4.27	\$0	\$4.27	\$83.57	95%
70W Metal Halide Wall Pack		12000	90W	\$29.57	\$58.28	\$87.85		
20W Crosstour LED Wall Pack	9 / 3285	50000	20W	\$6.57	\$0	\$6.57	\$139.88	95%
150W Metal Halide Wall Pack		7500	190W	\$62.42	\$84.03	\$146.45		
30W Crosstour LED Wall Pack	9 / 3285	50000	30W	\$9.86	\$0	\$9.86	163.91	94%
175W Metal Halide Wall Pack		6000	210W	\$68.99	\$104.78	\$173.77		

NOTE: * Cost = (Watts x 10 Hours Per Day x 365 Days per Year) / 1000 = Daily Kilowatt hour (kWh). kWh x .10 cents/kWh = Cost/year at .10 kWh. Relamp is once per every 2.5 years.

Energy Savings / Equivalency / Cross Reference Guide

Crosstour Series	Replacement Scale	HID Equivalency	Lamp System	HID Wattage	HID Rated Average Life (hrs)	Crosstour LED Wattage ²	Crosstour LED Life (hrs) ³	Energy Savings
XTOR1A	35W - 100W HID 32W CFL	Up to 70W MH	35W High Pressure Sodium	46	16,000	13W	50,000	72%
			50W Pulse Start Metal Halide	62	10,000			79%
			70W Pulse Start Metal Halide	95	12,000			86%
			32W Compact Fluorescent	36	16,000			64%
XTOR2A	100W - 175W HID 57W CFL	Up to 150W MH	100W Pulse Start Metal Halide	115	9,000	19W	50,000	83%
			150W Pulse Start Metal Halide	190	7,500			90%
			57W Compact Fluorescent	61	12,000			69%
XTOR3A	150W - 200W HID (2) 32W CFL	Up to 175W MH	175W Probe Start Metal Halide	210	7,500	30W	50,000	86%
			(2) 32W Compact Fluorescent	68	16,000			56%

NOTE: 1 Nominal lumens prior to optical and configuration losses based on 5000K CCT at 25°C ambient. 1A = 720 Lumens, 2A = 1360 Lumens, 3A = 2240 Lumens.
2 LED Wattage varies by Crosstour configuration and Kelvin CCT Color. 3 Hours of life based on 70% lumen maintenance.

Ordering Information

Sample Number: XTOR2A-N-WT-PC1

Series	LED Kelvin Color ³	Housing Color	Options (Specify Voltage) ⁴	Accessories (Order Separately) ⁵
XTOR1A =Small Door, 10W ¹ XTOR2A =Small Door, 20W XTOR3A =Large Door, 30W ²	__=Bright White (Standard), 5000K N =Neutral Warm White, 3500K	__=Carbon Bronze (Standard) WT =Summit White	PC1 =120V Photocontrol PC2 =277V Photocontrol (208-277V)	WG/XTOR =Wire Guard

Stock Ordering Information

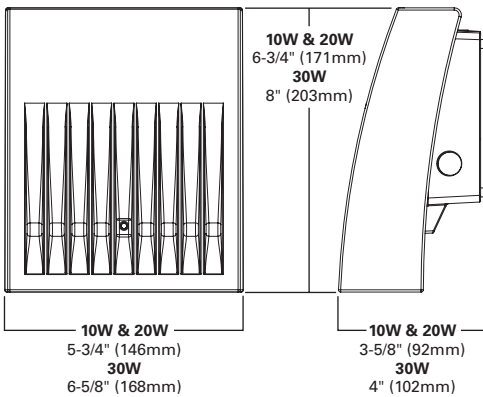
10W Series	20W Series	30W Series
XTOR1A =10W, 5000K, Carbon Bronze XTOR1A-WT =10W, 5000K, Summit White XTOR1A-PC1 =10W, 5000K, Carbon Bronze, 120V PC	XTOR2A =20W, 5000K, Carbon Bronze XTOR2A-N =20W, 3500K, Carbon Bronze XTOR2A-WT =20W, 5000K, Summit White XTOR2A-PC1 =20W, 5000K, Carbon Bronze, 120V PC	XTOR3A =30W, 5000K, Carbon Bronze XTOR3A-N =30W, 3500K, Carbon Bronze XTOR3A-WT =30W, 5000K, Summit White XTOR3A-PC1 =30W, 5000K, Carbon Bronze, 120V PC

Quick Ship Ordering Information (Five-Days)

10W Series	20W Series	30W Series
XTORA1-WT-PC1 =10W, 5000K, Summit White, 120V PC	XTOR2A-PC2 =20W, 5000K, Carbon Bronze, 277V PC XTOR2A-WT-PC1 =20W, 5000K, Summit White, 120V PC XTOR2A-WT-PC2 =20W, 5000K, Summit White, 277V PC XTOR2A-N-WT =20W, 3500K, Summit White XTOR2A-N-PC1 =20W, 3500K, Carbon Bronze, 120V PC XTOR2A-N-PC2 =20W, 3500K, Carbon Bronze, 277V PC XTOR2A-N-WT-PC1 =20W, 3500K, Summit White, 120V PC XTOR2A-N-WT-PC2 =20W, 3500K, Summit White, 277V PC	XTOR3A-PC2 =30W, 5000K, Carbon Bronze, 277V PC XTOR3A-WT-PC1 =30W, 5000K, Summit White, 120V PC XTOR3A-WT-PC2 =30W, 5000K, Summit White, 277V PC XTOR3A-N-WT =30W, 3500K, Summit White XTOR3A-N-PC1 =30W, 3500K, Carbon Bronze, 120V PC XTOR3A-N-PC2 =30W, 3500K, Carbon Bronze, 277V PC XTOR3A-N-WT-PC1 =30W, 3500K, Summit White, 120V PC XTOR3A-N-WT-PC2 =30W, 3500K, Summit White, 277V PC

NOTES: 1 120V only. XTOR1A not available in 3500K. 2 DesignLights™ Consortium qualified for wall mount applications (down mount only). Consult DesignLights™ Consortium website for other applications. 3 PC2 only available in 20W and 30W models. 4 PC1 and PC2 photocontrols are factory installed. PC2 not available on XTOR1A models. 5 Order WG/XTOR wire guard separately. 6 Specifications and dimensions subject to change without notice. Consult your Cooper Lighting Representative or visit our website at www.cooperlighting.com for available options, accessories and ordering information.

Dimensions



Options & Accessories



Photocontrol (PC1 or PC2)



Wire Guard (WG/XTOR)

Additional Information

Compliances		Technical Data (Electronic Driver)		Shipping Data (Approximate Net Weight)
UL and cUL Wet Location Listed	ARRA Compliant	40°C Ambient Temperature Rating	-40 / -30°C Minimum Temperature	10W and 20W - 3.7 lbs. (1.7 kgs.)
IP66 Ingress Protection Rated	ADA Compliant	External Supply Wiring 90°C Minimum	120V or 120-277V, 50/60 Hz	30W - 5.2 lbs. (2.36 kgs.)
LM79 / LM80 Compliant	RoHS Compliant			
DLC Qualified Models				



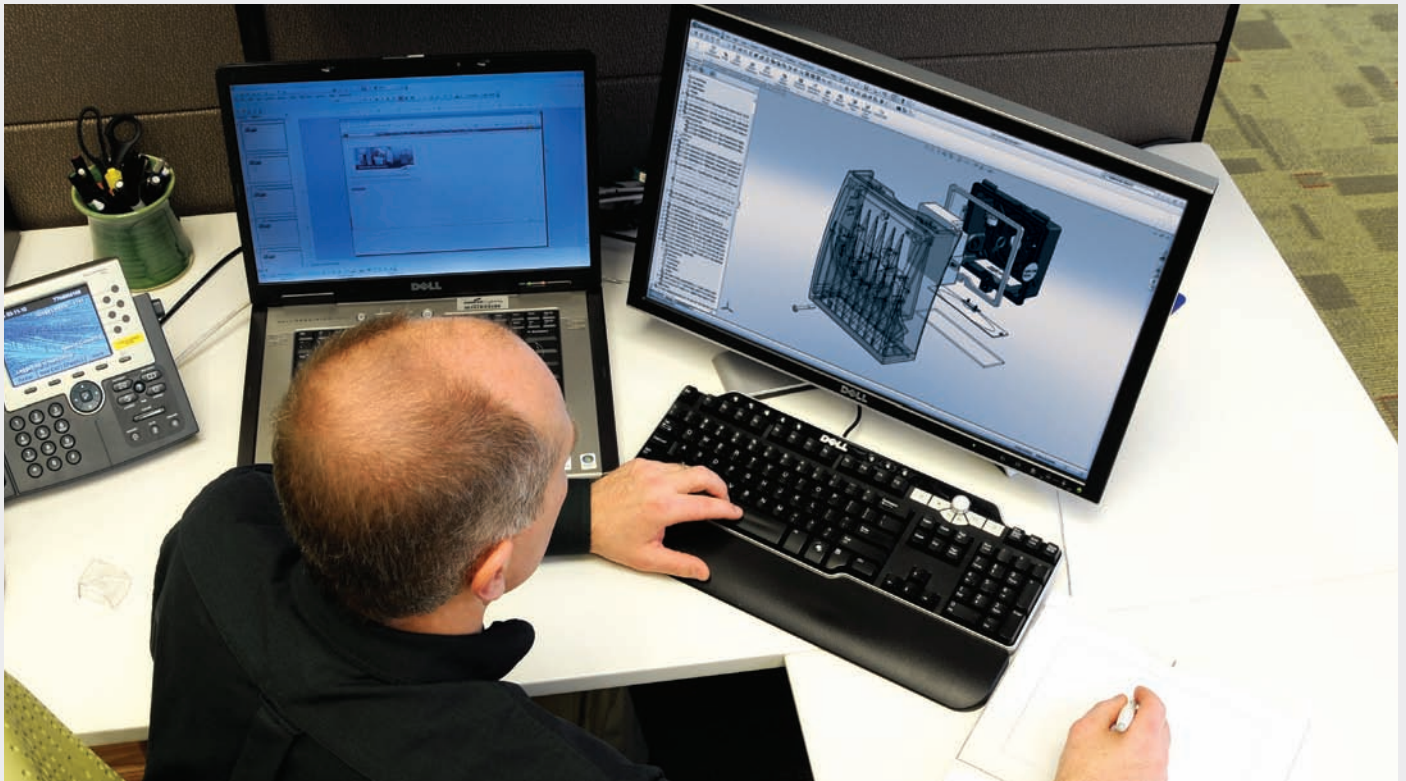
Scan this QR Code to learn more about Crosstour LED Wall Pack Luminaire.



The World of LED Innovation

Cooper's 60,000 square foot Innovation Center opened its doors in 2009. The multi-million dollar facility is home to the research, development, design, validation, and manufacturing of proprietary LED and other advanced lighting technologies. Teams of highly skilled mechanical, electrical, thermal, optical, and reliability engineers work hand in hand with industrial designers, lab technicians, and manufacturing personnel to accelerate the development and commercialization of industry-leading LED solutions.

Cooper has made significant investments in talented personnel, state-of-the-art equipment, and in the latest analytical and design software. Our world-class Innovation Center teams execute multiple LED design and performance assessments, including visual renderings, thermal simulations, electrical analysis and optical ray-tracing. Our stringent product development process ensures a highly reliable product every time.



Cooper Lighting, LLC.

Customer First Center
1121 Highway 74 South
Peachtree City, GA 30269

P: 770-486-4800
F: 770-486-4801

www.cooperlighting.com

International Sales, USA

Cooper Lighting, LLC.
1121 Highway 74 South
Peachtree City, GA 30269
P: 770-486-4800
F: 770-486-4801

Canada

Cooper Lighting, LLC.
5925 McLaughlin Road
Mississauga, Ontario L5R 1B8
P: 905-501-3000
F: 905-501-3172

The Cooper Lighting Family

Halo
Metalux
Lumark
Sure-Lites
Neo-Ray
Corelite
Portfolio
Iris
Shaper
IO
Lumière
Invue
McGraw-Edison
Streetworks
Fail-Safe
PDS
MWS
RSA
Ametrix

Domestic Facilities

Cranbury, New Jersey
Elk Grove Village, Illinois
Irving, Texas
Ontario, California
Peachtree City, Georgia

Canadian Facility

Calgary, Alberta T2E 7V9
Mississauga, Ontario L5R 1B8



25% PCRf

Cooper Lighting, Lumark, Crosstour and SustainabLEDesign are valuable trademarks of Cooper Industries in the United States and other countries. You are not permitted to use the Cooper Trademarks without the prior written consent of Cooper Industries.

Cooper Lighting, LLC

1121 Hwy 74 South
Peachtree City, Georgia 30269
P: 770-486-4800
www.cooperlighting.com